

WOOD BLEACHERS

Broadway Party & Tent Rental

763-424-6155
www.BroadwayPartyRental.com

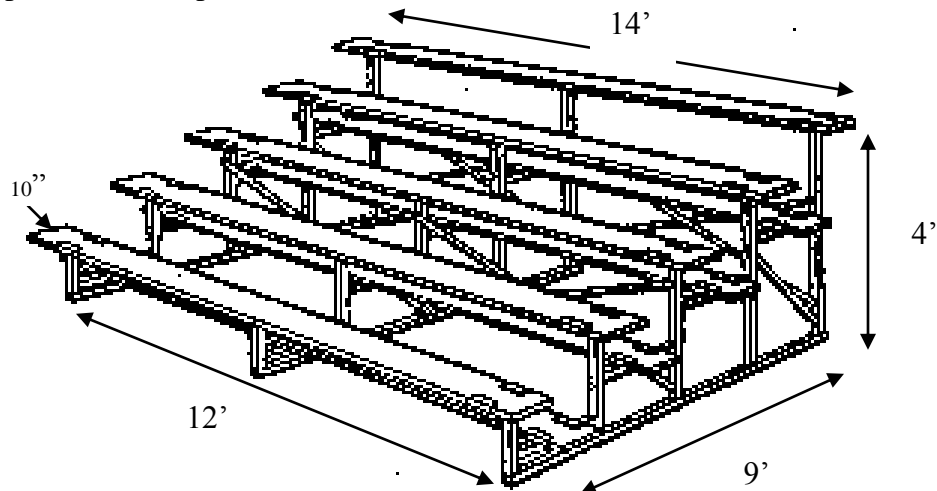
QUICK FACTS: The Bleachers have 5 - 14' long x 10" wide wood seats. They are easily assembled and disassembled. The highest row is 4' high. Guardrail for the back row is available for an extra fee. Bleacher unit has a 30-40 person capacity. When completely assembled, Bleachers have a space requirement of approximately 15' x 10'. Bleachers are meant for outdoor use – if using indoors we recommend renting carpet to protect your flooring.

INCLUDED UNIT PIECES: This Bleacher package includes the frame, boards, and clips.

- 9 Wood Boards – 14' long x 10"
- 18 Quick Clips
- 3 Steel Frames
- 4 Diagonal Braces
- 12 Wing Nuts

SET UP INSTRUCTIONS:

1. Lay frames out where you want the bleachers erect; space the frames approximately 5' apart.
2. Lay diagonal brace between frames.
3. Stand up 1 frame and connect 2 diagonal braces to the frame using wing nuts.
4. Stand up the next frame and connect the first 2 diagonal braces and the next 2 diagonal braces to center frame with wing nuts.
5. Stand last frame up connecting the 2 diagonal braces using wing nuts.
6. Attach clips to frame by sliding on. One clip goes on each spot on outside frames.
7. Slide boards through the clips. Reverse steps for take down.



“We Rent Celebrations!”

IF EQUIPMENT IS WORKING INCORRECTLY,
PLEASE CONTACT BROADWAY PARTY & TENT RENTAL AS SOON AS POSSIBLE.