

ALL PURPOSE CANOPY (AP)

www.BroadwayPartyRental.com

DO NOT return Stakes or Poles in Tent Bag or you'll be CHARGED \$50

INSTALLATION MUST BE ON GRASS: 2-3 installers should be able to assemble AP Canopy in approx. 30-45 minutes. [LINK TO VIDEO](#) or search "All Purpose Canopy setup Anchor Ind" in Youtube.

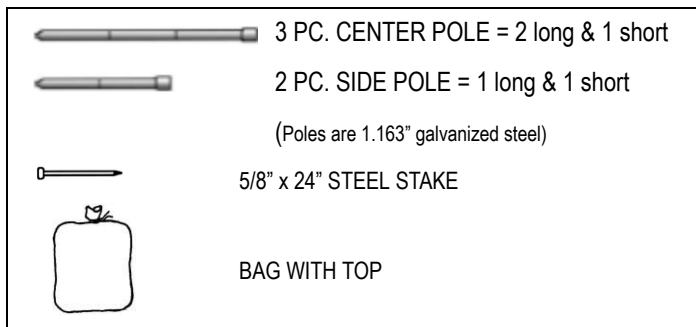
TOOLS NEEDED: Sledgehammer & drop cloths to help keep vinyl top clean

IMPORTANT SITE INSPECTION Call Gopher State One Call (811) at least 48 business hours prior to installation to locate & mark underground Public Utilities (gas, electric, cable, phone, etc.) YOU are responsible for Private Utilities - be sure to look around area for obstacles, such as pipes, wires, landscaping, underground sprinkler system, sprinkler heads, underground gas or power lines for grills, sheds, lighting, etc. An 8' clearance is required away from overhead power lines (electrical) because power jumps.

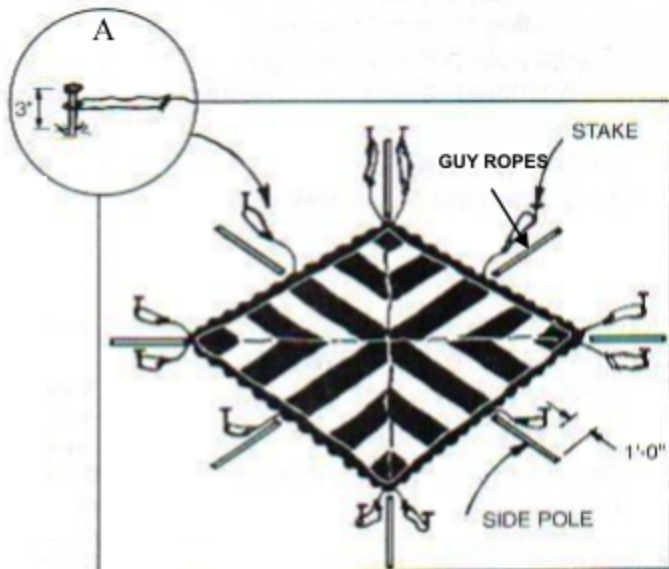
WEATHER As much as weather is unpredictable, good judgment & common sense must be used with installation guidelines. It's the responsibility of Canopy installer/maintainer to determine severity of weather, proper time & method of installation setup & disassembly. **Tent has been manufactured for use as a temporary sunshade structure, there is no guarantee for protection from rain.** For the safety of occupants, evacuation is recommended if threatening or windy weather occurs, or if there's any doubt concerning the safe use of canopy. **To prevent damage: Customer is responsible to immediately remove any puddles, accumulation of snow, ice, &/or rain.**

This is NOT a storm shelter! In event of severe weather, it's recommended the Canopy be taken down to prevent damage not only to Canopy but surrounding persons & property.

ALL PURPOSE CANOPY PARTS



PARTS	AP CANOPY SIZE			
	16 X 16	20 X 20	20 X 30	20 X 40
SHORT POLES 3'	9	9	12	15
LONG POLES 4'	10	1	14	18
STAKES	12	1	14	16
BAG WITH TOP	1	1	1	1

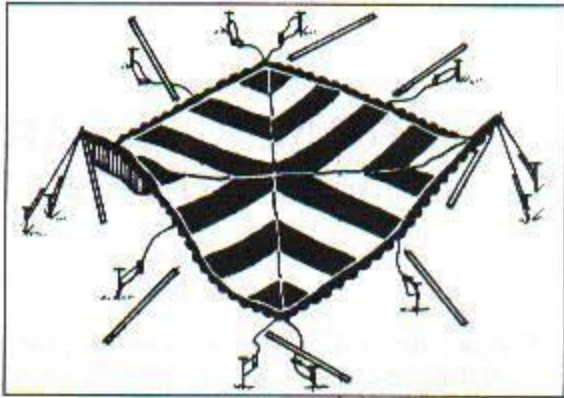


You will be charged for missing parts!

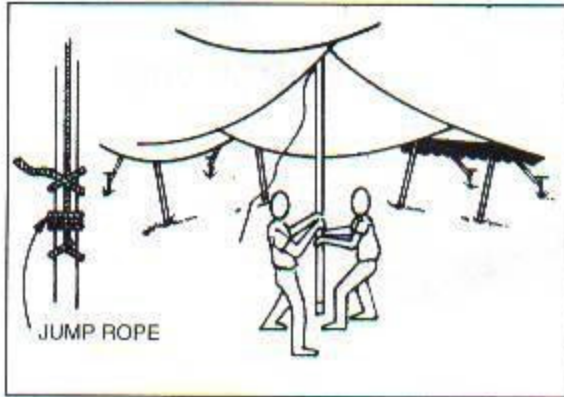
**MUST BE STAKED IN GRASS
 CAN NOT BE SETUP ON ASPHALT,
 CONCRETE, DECKS, ETC**

- SPREAD OUT** in desired location your own drop cloths. Sharp objects (rocks, bushes, etc.) which must remain under Canopy should be padded & taped. Unroll Canopy. Assemble side poles (1 long with 1 short) & lay **straight out** from each pole hole in Canopy. While poles are down, drive a stake **straight down** (NOT at an angle) one foot in from end of each 2-pc leg (towards Canopy). The stake can be driven through the ring attached to guy ropes as shown in "A".

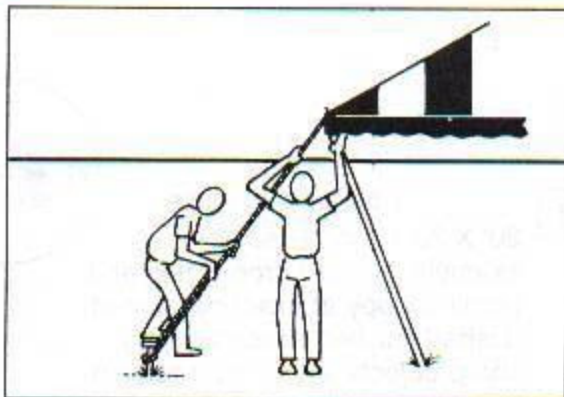
Putting on protective covers or something to prevent & block people from tripping over stakes is recommended for each stake



2)**RAISE SIDE POLES** Start at opposite corners. Insert side poles into pole holes & raise so bottom of poles slant toward center of Canopy, adjust guy ropes, & continue with other two corners & then the sides.



3)**RAISE CENTER POLE** Assemble a 3-piece center pole (2 long with 1 short) insert into center pole hole. Raise to an upright position & tie off jump rope to pole.



4)**SIDE POLE ADJUSTMENT** Tighten guy ropes & set side poles to an upright position. Adjust pole positions & guy rope tension to properly pull out canopy. Check guy ropes periodically & re-tighten often to maintain good condition.

To **TAKE DOWN** Spread drop cloths. Loosen all guy ropes, reverse steps 1 through 4 for disassembly.

IMPORTANT Check guy ropes periodically & re-tighten often to maintain good condition. Stakes provided are for average soil conditions; sandy soil may require additional staking. Proper installation suitable to site condition is the responsibility of installer. **To prevent damage to Canopy; use drop cloths for setup & takedown, NEVER store wet or damp & ALWAYS remove any accumulation of puddling rain, snow, & ice immediately.**

CAUTION: DECORATIONS (such as crepe paper streamers) have been known to stain Tent Top & Poles if they get wet! You will be charged a replacement &/or cleaning fee if that happens. **REMOVE** all tape & decorations or you'll be charged a cleaning fee.

DO NOT return stakes or Tent poles in Tent Bag or YOU will be charged \$50

"We Rent Celebrations!"

IF EQUIPMENT IS WORKING INCORRECTLY,
CONTACT BROADWAY PARTY RENTAL AS SOON AS POSSIBLE 763-208-1357